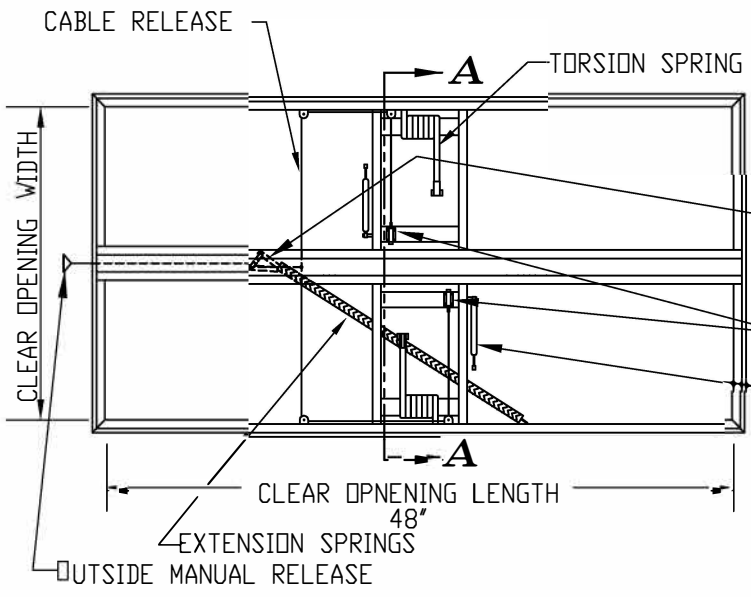
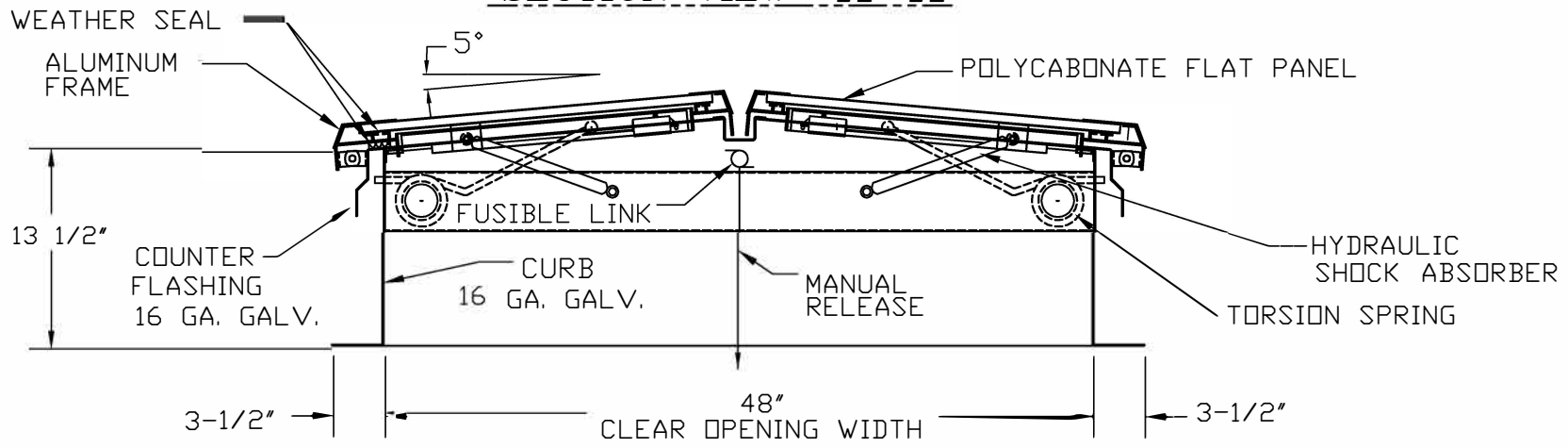


SECTION VIEW A-A



NOTES:
 * LISTED BY UNDERWRITERS' LABORATORIES
 * APPROVED BY FACTORY MUTUAL (SNOW RATE 10 PSF)

VERIFICATION AND APPROVAL OF GENERAL ARRANGEMENT AND OVERALL DIMENSIONS OF THIS DOCUMENT ARE REQUIRED BEFORE THE ORDER IS ENTERED FOR MANUFACTURING.

APPROVAL SIGNATURE _____

TITLE HELD _____

DATE OF APPROVAL _____

UL-SKY FLAT PANEL SMOKE VENT			
MATERIAL SCHEDULE			
QUANTITY	SIZE	COVER	FRAME
	48x48		
			MilcoR

MODEL	INSIDE CURB DIM.		QTY.	UL	FM
	WIDTH	LENGTH			
UL-SKY 4848	48"	48"		X	X
UL-SKY 4860	48"	60"		X	X
UL-SKY 4872	48"	72"		X	X
UL-SKY 4884	48"	84"		X	X
UL-SKY 4896	48"	96"		X	X

G/HATCH\ULSKY	
DEALER	
PROJECT	
LOCATION	
ARCH.	
CONT'D	
DATE	DRAWN
REV	JOB NO.
U-LP	SHEET

AccessDoorsAndPanels

Address: PO Box 66738 #76520, Saint Louis, MO 63166-6738
 Phone: 1-800-609-2917 Fax: 1-888-626-2907
 Website: www.AccessDoorsAndPanels.com
 Email: info@AccessDoorsAndPanels.com